



***HiTop***<sup>®</sup>  
the top choice of ophthalmic lens

# CR39 1.50 index range

## POLAR SCV

### power range

- A) sph  $\pm 0.00$  to  $\pm 4.00$ , cyl -0.25 to -2.00  
sph +4.25 to +6.00
- B) sph 0.00 to -3.00, cyl -2.25 to -4.00

- . CR39 1.50 index
- . light weight
- . high transmittance
- . passed FDA impact resistance test
- . clear white



## POLAR MC

### power range

- A) sph  $\pm 0.00$  to  $\pm 4.00$ , cyl -0.25 to -2.00  
sph +4.25 to +6.00
- B) sph 0.00 to -3.00, cyl -2.25 to -4.00

- . CR39 1.50 index
- . anti-reflection
- . double density hard coat
- . light weight
- . high transmittance
- . passed FDA impact resistance test
- . clear white

## PLASSEL V

### power range

- A) sph  $\pm 0.00$  to  $\pm 4.00$ , cyl -0.25 to -2.00  
sph +4.25 to +6.00

- . CR39 1.50 index
- . anti-reflection
- . double density hard coat
- . light weight
- . high transmittance
- . passed FDA impact resistance test
- . clear white



POLAR SCV



POLAR MC



PLASSEL V

# MIDDLE-index range

## HT160

### power range

- A) sph 0.00 to 8.00, cyl 0.00 to -2.00
- B) sph +0.25 to +6.00, cyl 0.00 to -2.00

- . anti-reflection
- . double density hard coat
- . uv protection
- . water resistance



## HEMW

### power range

- A) sph 0.00 to 8.00, cyl 0.00 to -2.00
- B) SPH +0.25 TO +6.00, cyl -0.00 to -2.00
- C) sph 0.00 to -6.00, cyl -2.25 to -4.00  
sph -6.25 to -8.00, cyl -2.25 to -3.00
- D) sph -6.25 to -8.00, cyl -3.25 to -4.00  
sph -8.25 to -9.00, cyl -0.25 to -2.00  
sph -9.25 to -10.00, cyl -0.25 to -1.00
- E) sph -8.25 to -10.00

- . anti-reflection
- . anti-emi
- . double density hard coat
- . uv protection
- . water resistance

## XPS

### power range

- A) sph 0.00 to -8.00, cyl -0.25 to -2.00
- B) sph +0.25 to +4.00, cyl 0.00 to -2.00

- . anti-reflection
- . anti-emi
- . double density hard coat
- . FULL UV400 PROTECTION
- . water resistance
- . clear base

## PA160

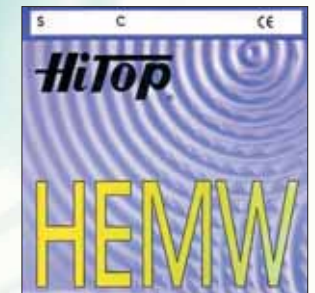
### power range

- A) sph 0.00 to -8.00, cyl -0.25 to -2.00
- B) sph +0.25 to +6.00, cyl 0.00 to -2.00

- . anti-reflection
- . anti-emi
- . double density hard coat
- . FULL UV400 PROTECTION
- . HIGH IMPACT RESISTANCE
- . HIGH ABBE VALUE AT 43
- . water resistance
- . clear base



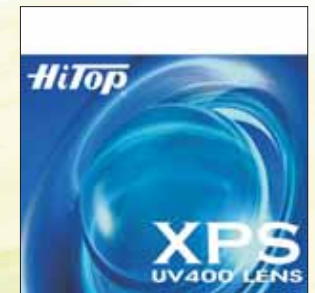
HT160



HEMW



Pa160



XPS

# HIGH-index range

## MR161

### power range

A1) sph 0.00 to -8.00, cyl 0.00 to -2.00

A2) sph -8.25 to -10.00

B) sph -8.25 to -10.00, cyl -0.25 to -2.00

- . anti-reflection
- . anti-emi
- . double density hard coat
- . FULL UV400 PROTECTION
- . water resistance
- . clear base



## A1EMI

### power range

A) sph -2.00 to -10.00, cyl 0.00 to -2.00

B) sph -10.25 to -12.00, cyl 0.00 to -2.00

C) sph -2.00 to -8.00, cyl -2.25 to -4.00

- . anti-reflection
- . anti-emi
- . double density hard coat
- . FULL UV400 PROTECTION
- . water resistance
- . clear base

## SEIDA 180

### power range

A) sph -3.00 to -10.00, cyl 0.00 to -2.00

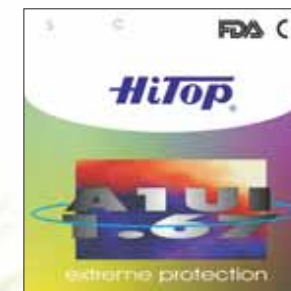
B) sph -10.25 to -12.00, cyl 0.00 to -2.00

B2) sph -12.25 to -15.00

- . anti-reflection
- . anti-emi
- . double density hard coat
- . FULL UV400 PROTECTION
- . water resistance
- . clear base



MR161



A1EMI167



SEIDA180

# COLOUR range

## PA BLUE

### power range

- A) sph 0.00 to -8.00, cyl 0.00 to -2.00
- B) sph +0.25 to +6.00, cyl 0.00 to -1.00

- . BLUE TINTED 25%
- . anti-reflection
- . anti-emi
- . double density hard coat
- . uv protection
- . water resistance



## PA BROWN

### power range

- A) sph 0.00 to -8.00, cyl 0.00 to -2.00

- . BROWN TINTED 25%
- . anti-reflection
- . anti-emi
- . double density hard coat
- . uv protection
- . water resistance

## PA PINK

### power range

- A) sph 0.00 to -8.00, cyl 0.00 to -2.00

- . PINK TINTED 25%
- . anti-reflection
- . anti-emi
- . double density hard coat
- . uv protection
- . water resistance

## PA G15 (GREEN)

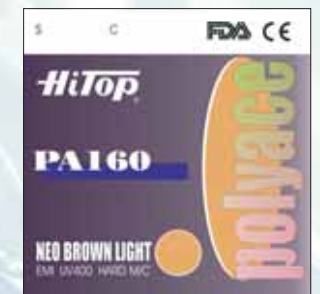
### power range

- A) sph 0.00 to -8.00, cyl 0.00 to -2.00

- . G15 TINTED 65%
- . anti-reflection (inside)
- . double density hard coat
- . uv protection
- . water resistance



PA BLUE



PA BROWN



PA PINK



PA G15

# COLOUR PHOTOCHROMIC range

## PRESTO BLUE

### power range

A) sph 0.00 to -6.00, cyl 0.00 to -2.00

- . BLUE PHOTOCHROMIC 65%
- . anti-reflection
- . anti-emi
- . double density hard coat
- . uv protection
- . water resistance

## PRESTO BROWN

### power range

A) sph 0.00 to -6.00, cyl 0.00 to -2.00

- . BROWN PHOTOCHROMIC 65%
- . anti-reflection
- . anti-emi
- . double density hard coat
- . uv protection
- . water resistance

## MP30 PINK

### power range

A) sph 0.00 to -6.00, cyl 0.00 to -2.00

- . PINK PHOTOCHROMIC 30%
- . anti-reflection
- . anti-emi
- . double density hard coat
- . water resistance

## MP30 BLUE

### power range

A) sph 0.00 to -6.00, cyl 0.00 to -2.00

- . BLUE PHOTOCHROMIC 30%
- . anti-reflection
- . double density hard coat
- . water resistance

## MPP9 DARK GREY

### power range

A) sph 0.00 to -6.00, cyl 0.00 to -2.00

- . GRAY PHOTOCHROMIC 75%
- . anti-reflection
- . anti-emi
- . double density hard coat
- . uv protection
- . water resistance



MPP9



MP30 BLUE



MP30 PINK



PRESTO BLUE



PRESTO BROWN

# WHAT IS HIZAR® COATING?

HIZAR® coating is developed to enhance the visual clarity and ease of cleaning the ophthalmic lenses. Capitalizing on the latest NANO technology, HIZAR® coating uses the most sophisticated production techniques to create a revolutionary new standard for plastic ophthalmic lens.

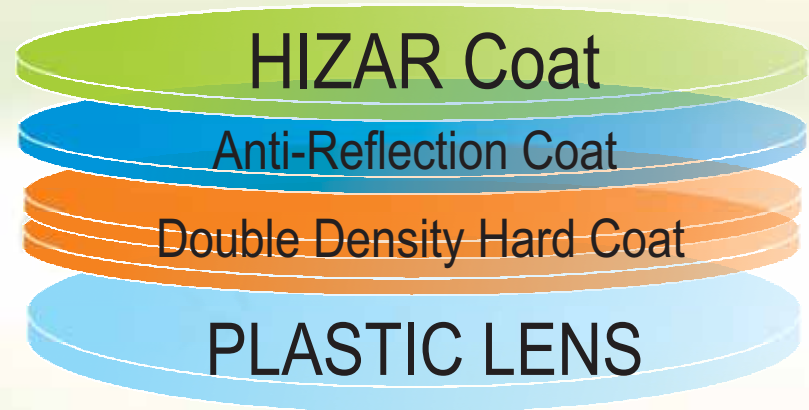


HIZAR® enhance the cosmetic appearance of the eyewear.

Lenses with HIZAR® coating can be cleaned with the minimum effort, and with added protection to the lens surface, lifespan of the lens is greatly improved as compared with normal lenses. With increased in water repellent properties, dust and smudges could be removed from the lenses with just a simple wipe.

Topping on the standard layers of hard coating and antireflection coating, HIZAR® coating stays on the top surface protecting the rest of the layers from damages. With HIZAR® coating, antireflection coating will be more durable and cosmetic appearance will be much enhanced.

## Construction of HIZAR coated lens



TM

# HIZAR range

## ZAR160

### power range

A) sph 0.00 to -8.00, cyl 0.00 to -2.00

- . HIZAR COATED
- . anti-reflection
- . anti-emi
- . double density hard coat
- . FULL UV PROTECTION
- . water resistance



## ZAR161

### power range

A) sph 0.00 to -8.00, cyl 0.00 to -2.00

B) sph +0.25 to +6.00, cyl 0.00 to -2.00

- . HIZAR COATED
- . THIN FILM COATED FOR EASE IN EDGING
- . anti-reflection
- . anti-emi
- . double density hard coat
- . FULL UV PROTECTION
- . water resistance

## ZAR167

### power range

A) sph -3.00 to -10.00, cyl 0.00 to -2.00

- . HIZAR COATED
- . THIN FILM COATED FOR EASE IN EDGING
- . anti-reflection
- . anti-emi
- . double density hard coat
- . FULL UV PROTECTION
- . water resistance



ZAR160



ZAR161



ZAR167

# HIZAR range

## ZAR 200

### power range

A) sph 0.00 to -8.00, cyl 0.00 to -2.00

- . HIZAR COATED
- . anti-reflection
- . anti-emi
- . double density hard coat
- . water resistance



## ZAR 300

### power range

A) sph 0.00 to -8.00, cyl 0.00 to -2.00

- . HIZAR COATED
- . ASPHERICAL DESIGN
- . anti-reflection
- . anti-emi
- . double density hard coat
- . FULL UV400 PROTECTION
- . water resistance



ZAR200



ZAR300

# POLYCARBONATE range

## SUPER-LITE

### power range

sph 0.00 to -6.00, cyl -0.00 to -2.00

sph +0.25 to +4.00, cyl -0.00 to -1.00

- . HIZAR COATED
- . anti-reflection
- . anti-emi
- . double density hard coat
- . uv protection
- . water resistance
- . impact resistance



## SUPER-LITE TRANSMATIC

### power range

sph 0.00 to -6.00, cyl -0.00 to -2.00

sph +0.25 to +4.00, cyl -0.00 to -1.00

- . anti-reflection
- . anti-emi
- . double density hard coat
- . uv protection
- . water resistance
- . impact resistance
- . PHOTOCROMIC GREY AND BROWN



SUPER-LITE



TRANSMATIC GREY



TRANSMATIC BROWN

# TITANSTEEL TTS LENS

## TITANSTEEL TTS

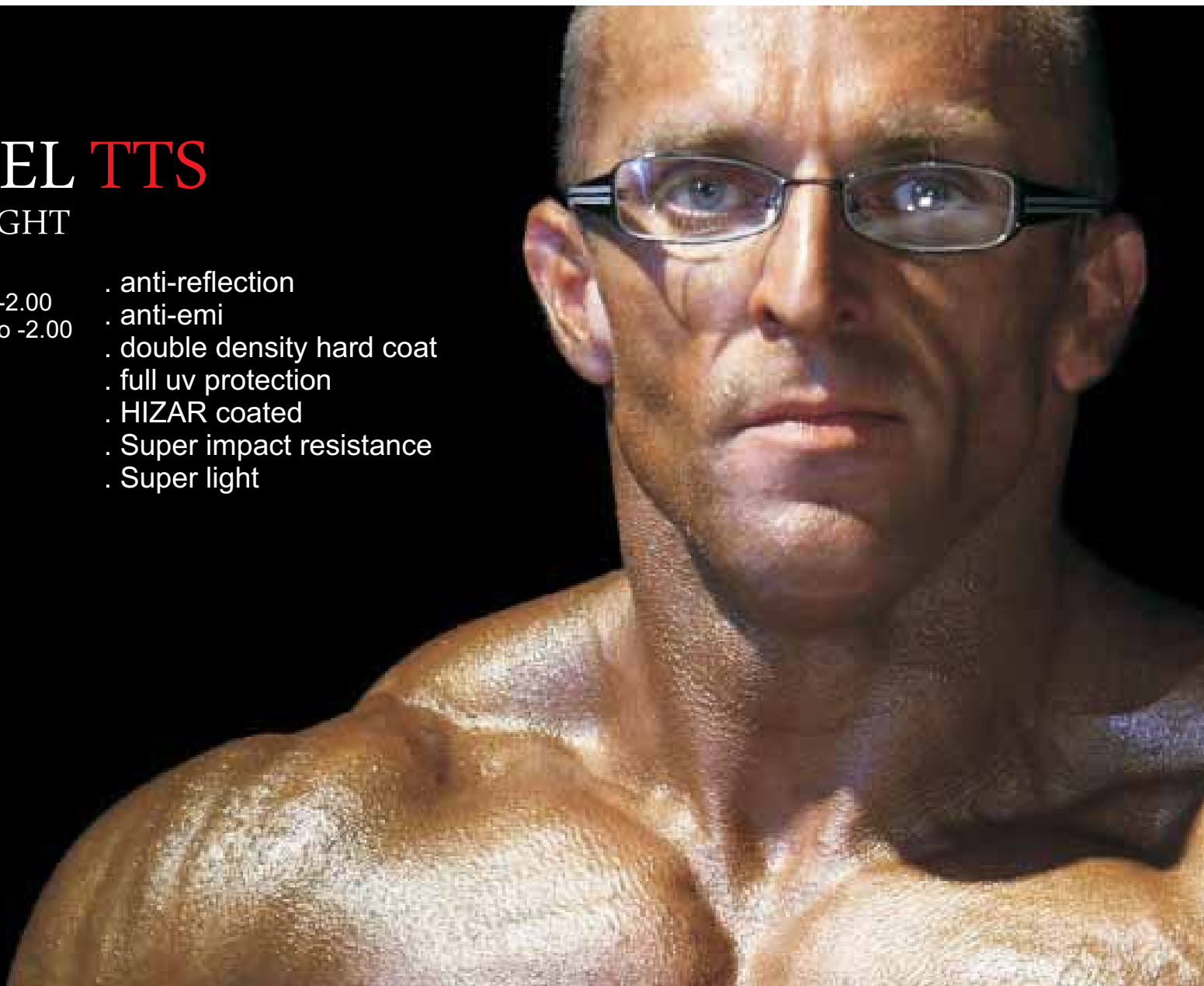
TOUGH • CLEAR • LIGHT

power range

sph 0.00 to -6.00, cyl -0.00 to -2.00

sph +0.25 to +6.00, cyl -0.00 to -2.00

- . anti-reflection
- . anti-emi
- . double density hard coat
- . full uv protection
- . HIZAR coated
- . Super impact resistance
- . Super light



# PROGRESSIVE range

## PRO14 1.56 STOCK

### power range

A) dist 0.00 to +2.00, add +1.00 to +3.00

- . anti-reflection
- . anti-emi
- . double density hard coat
- . uv protection
- . water resistance



PRO14



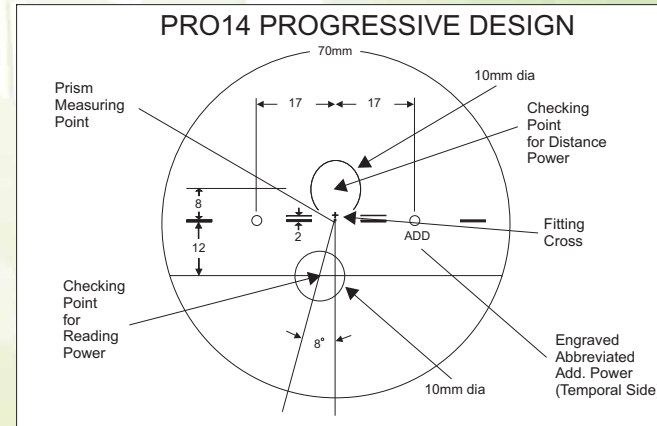
## PRO14 1.56/ 1.61 RX

### power range

1.56 SPH (-) 9.00, SPH (+) 5.50  
with CYL combined power (-,-) 9.00  
with CYL combined power (+,-) 10.00  
with CYL combined power (+,+) 4.50  
ADDITION: 1.00 to 3.00

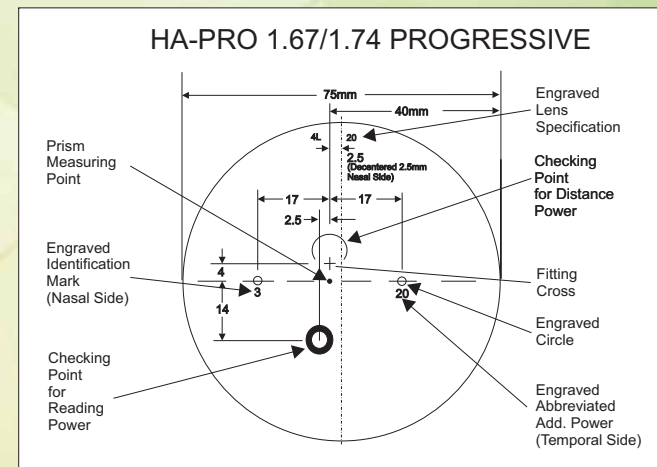
1.61 SPH (-) 10.00, SPH (+) 5.50  
with CYL combined power (-,-) 9.00  
with CYL combined power (+,-) 10.00  
with CYL combined power (+,+) 4.50  
ADDITION: 1.00 to 3.00

- . anti-reflection
- . anti-emi
- . double density hard coat
- . uv protection
- . water resistance



## HA PRO 1.67/ 1.74 RX

- . anti-reflection
- . double density hard coat
- . FULL UV PROTECTION
- . water resistance



# PROGRESSIVE range

## JSM PRO12 1.56 RX

### power range

1.56 SPH (-) 8.50, SPH (+) 7.00  
with CYL combined power (-,-) 10.50  
with CYL combined power (+,-) 11.00  
with CYL combined power (+,+) 4.00  
ADDITION: 1.00 to 3.00

- . anti-reflection
- . anti-emi
- . double density hard coat
- . uv protection
- . water resistance



## JSM PRO12 1.60 RX

### power range

1.60 SPH (-) 10.00, SPH (+) 7.50  
with CYL combined power (-,-) 12.00  
with CYL combined power (+,-) 11.50  
with CYL combined power (+,+) 4.00  
ADDITION: 1.00 to 3.00

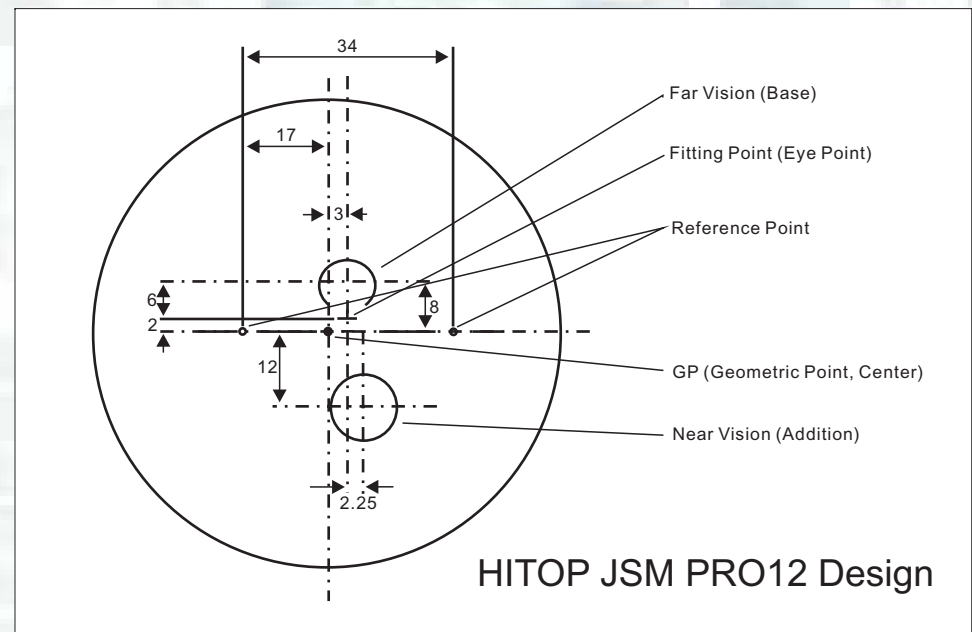
- . anti-reflection
- . anti-emi
- . double density hard coat
- . FULL UV PROTECTION
- . water resistance

## JSM PRO12 1.67 RX

### power range

1.67 SPH (-) 11.00, SPH (+) 8.00  
with CYL combined power (-,-) 13.00  
with CYL combined power (+,-) 12.00  
with CYL combined power (+,+) 4.00  
ADDITION: 1.00 to 3.00

- . anti-reflection
- . anti-emi
- . double density hard coat
- . FULL UV PROTECTION
- . water resistance



# FREEFORM PROGRESSIVE range

## VISTAVUE

FREEFORM PROGRESSIVE

Indexes available are 1.50, 1.56, 1.60, 1.67, 1.57 MPP9, TITANSTEEL TTS and 1.74



### VistaVue Design 1:

- Expanded distance view
- Wide and distortion free
- Perfect for driving and outdoor activities



### VistaVue Design 2:

- Balanced design from far to near
- Ideal for heavy mid range usage
- Great for daily routines



### VistaVue Design 3:

- Superior wide reading area
- Comfortable mid range usage
- Recommended for desk work and reading



[www.hitoplens.com](http://www.hitoplens.com)

DISTRIBUTOR: